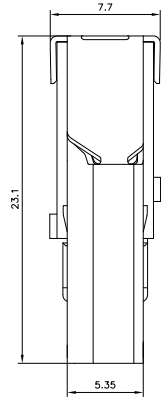


RoHS
Compliant



NOTE:

1.Material:

- 1.1 Terminal: Brass C2680-1/2H(HV120~140),T=0.2±0.02mm.
- 1.2 Shell : Brass C2680-EH(HV160~175),T=0.4±0.02mm.
- 1.3 Housing : LCP+30%.G.F.(UL94-0),Black.

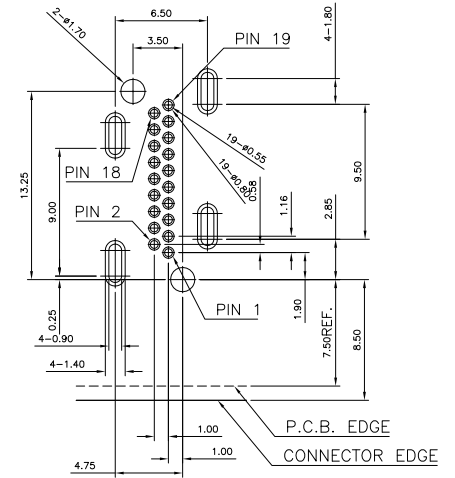
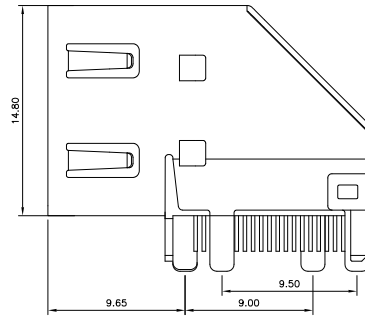
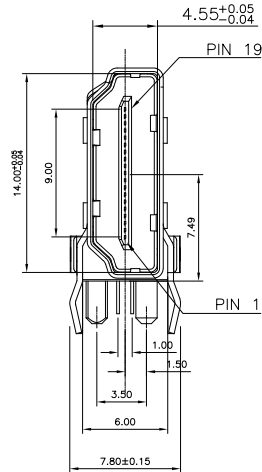
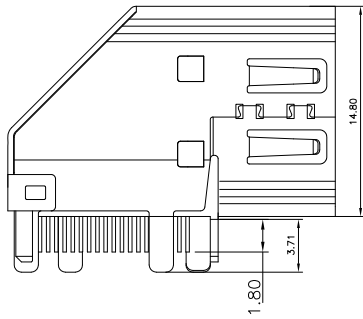
2.Plating:

- 2.1 Terminal: Au plated on contact area, Sn plated on solder area over Ni
- 2.2 Shell : Ni plated overall.

3.Specifications:

- 3.1 Current Rating: 0.5A
- 3.2 Inital contact resistance excluding conductor resistance: 30mΩ
- 3.3 Dielectric withstanding voltage:500V AC/1 minute
- 3.4 Insulation Resistance: 100MΩ MIN DC 500V
- 3.5 Operating temperature:-40°C ~ +85°C.

4.Packaging: 40 pcs/tray



RECOMMENDED PCB LAYOUT (TOP VIEW)
TOLERANCE: ±0.05mm

Ordering Information

HA - F - 2 - 0 - H - G1 - N - A - 2 - B - 3 - 262

Normal Single Layer F:Female PIN TYPE 2,DIP 0: w/o Flange Type H:UpRight G1: Gold Flash N: Normal R: Reverse S: Sunk On PCB Shell Material Shell Legs Housing Color Packing Contact Plated A: Nickel B: Black 3: Tray

REV.	REVISION RECORD	DATE	General Tolerance		
A	Original	04/17/17"	LINEAR 0.0 ±0.25	ANGLE ±3°	
B	Revised	11/21/19"	0.00 ±0.25		DWG.NO: HAF20HG1NA2B3-262 REV. B
				UNIT:mm	
			APPROVED	NAME	
			DESIGNER	WENNY	
			DRAWN	NAILSON	
				SINATEN	
			SCALE	1:1	SHEET 1 OF 1